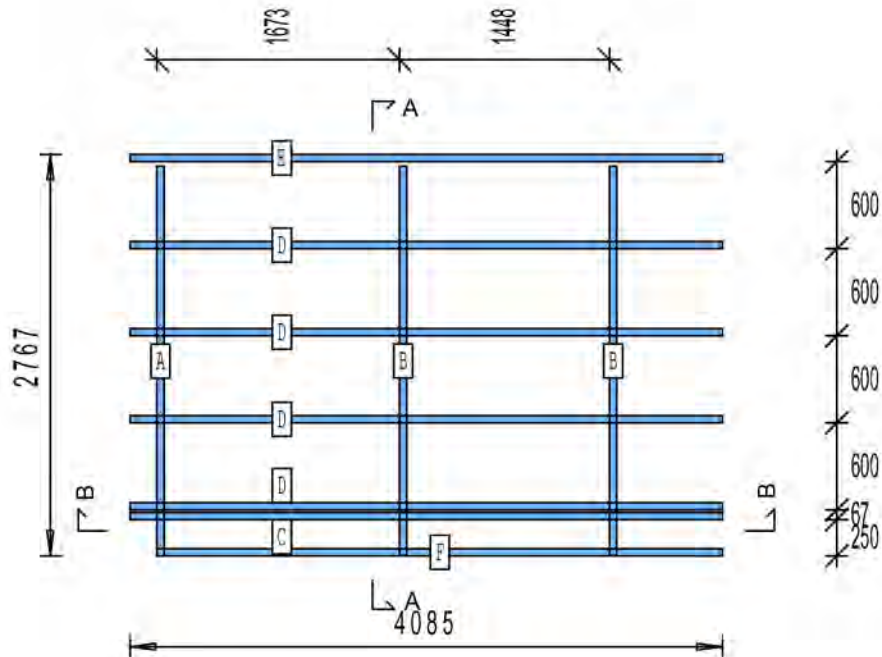
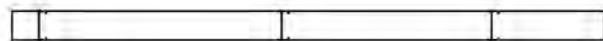




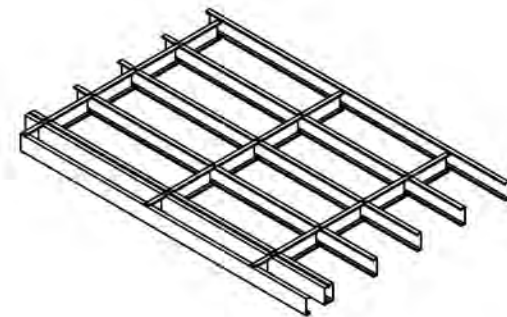
A-A



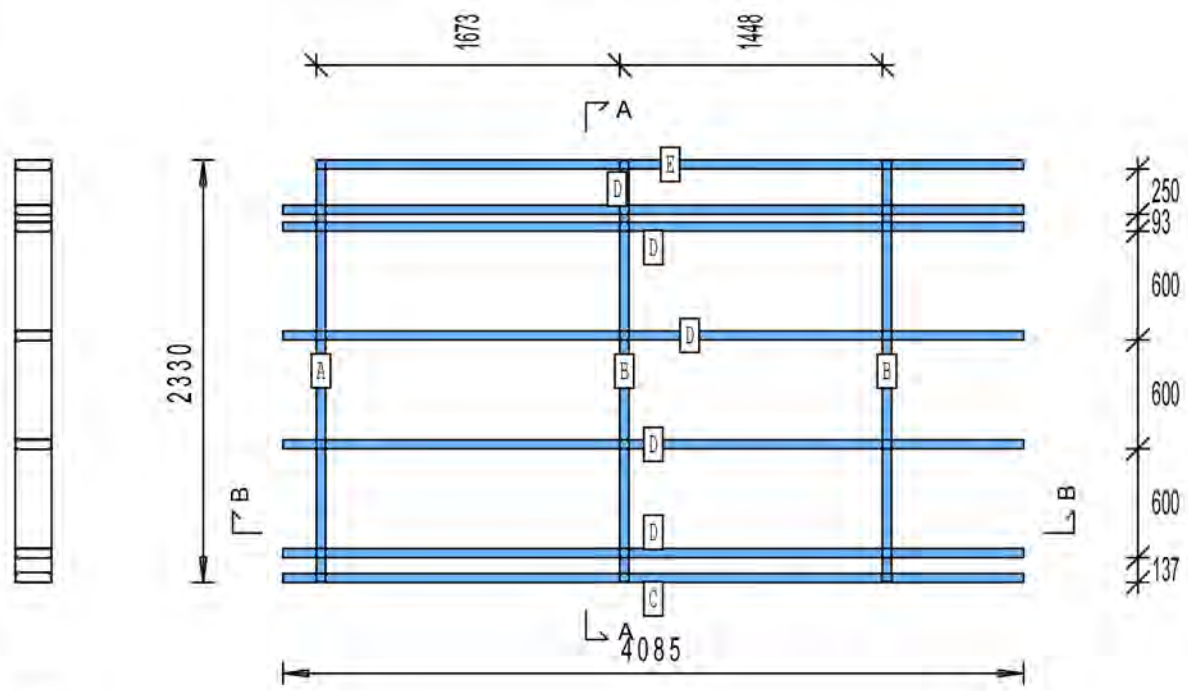
B-B



PIECE SCHEDULE				
PCE	QTY	MTRL	DESCRIPTION	LENGTH
A	1	200S-1.5	BLOCK	2685
B	2	200S-1.5	BLOCK	2682
C	1	200S-1.5	RAFTER	4085
D	4	200S-1.5	RAFTER	4085
E	1	200S-1.5	RAKE	4085
F	1	200S-1.5	RAKE	3899

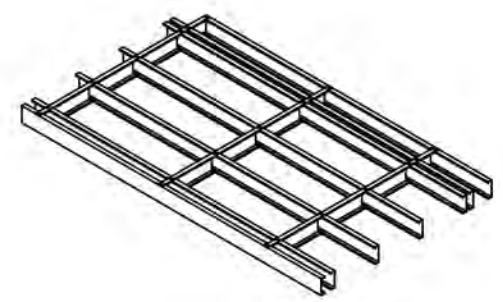


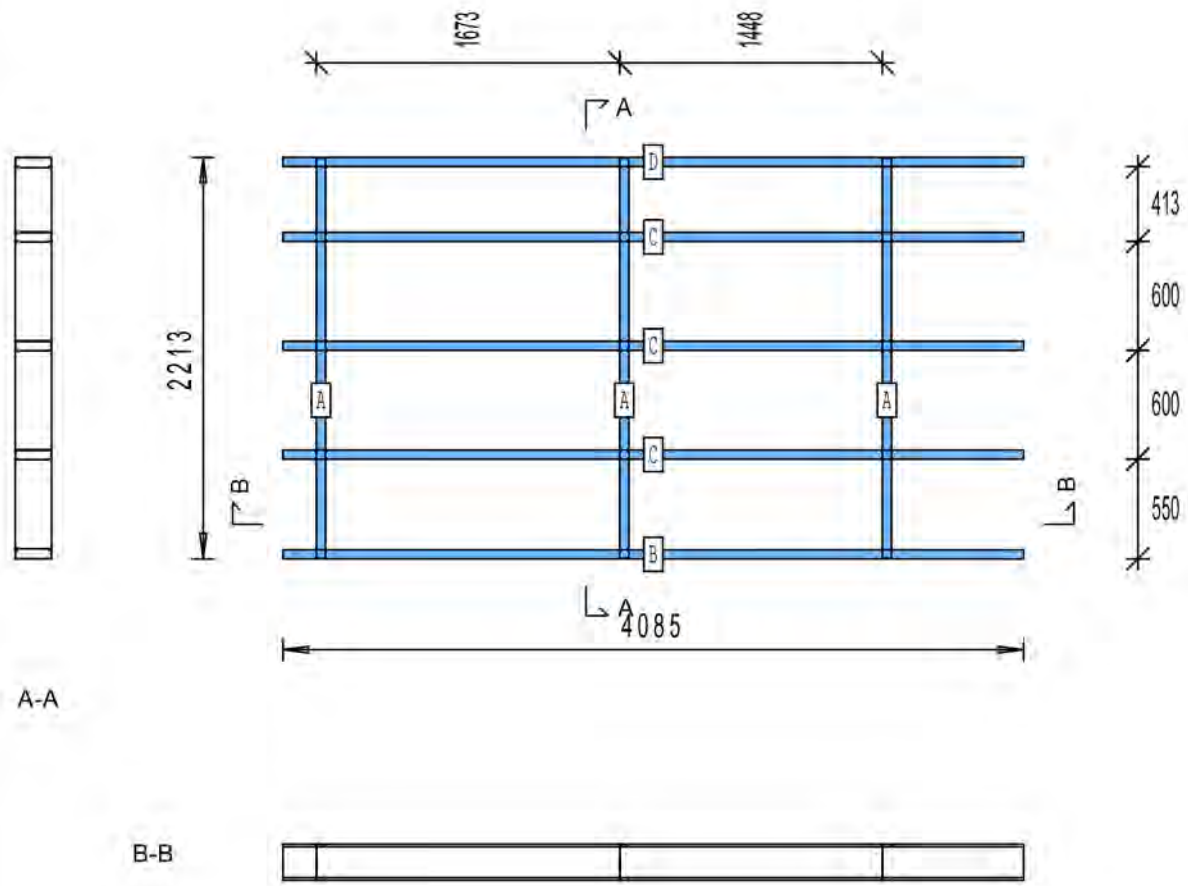
PIECE SCHEDULE				
PCE	QTY	MTRL	DESCRIPTION	LENGTH
A	1	200S-1.5	BLOCK	2327
B	2	200S-1.5	BLOCK	2323
C	1	200S-1.5	RAKE	4085
D	5	200S-1.5	RAFTER	4085
E	1	200S-1.5	RAKE	3899



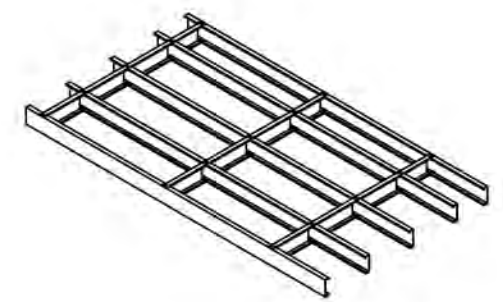
A-A

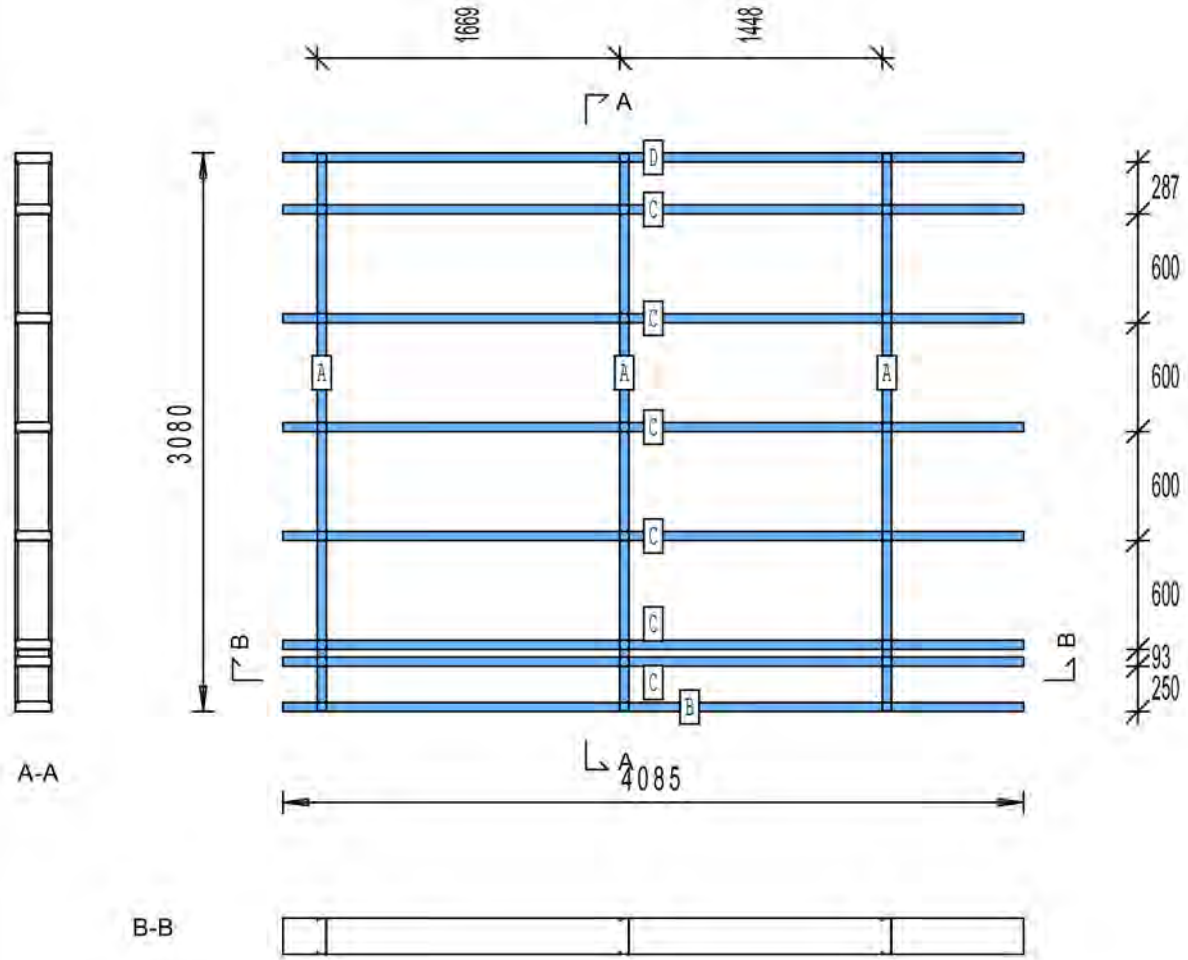
B-B



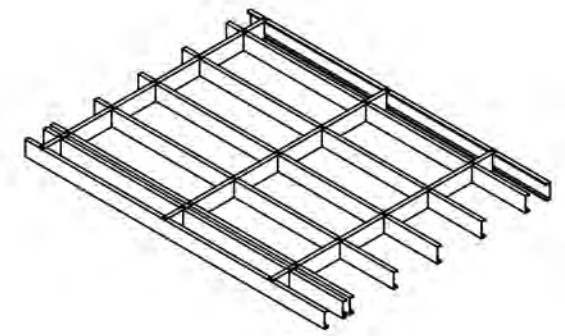


PIECE SCHEDULE				
PCF	QTY	MTRL	DESCRIPTION	LENGTH
A	3	200S-1.5	BLOCK	2206
B	1	200S-1.5	RAKE	4085
C	3	200S-1.5	RAPTER	4085
D	1	200S-1.5	RAKE	4085





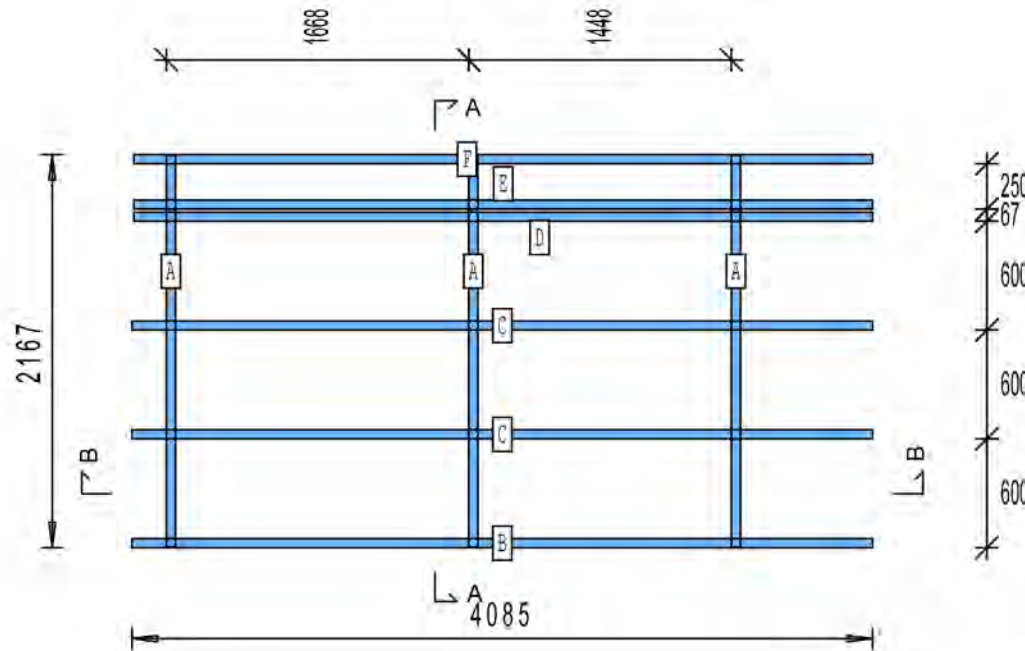
PIECE SCHEDULE				
PCE	QTY	MTRL	DESCRIPTION	LENGTH
A	3	200S-1.5	BLOCK	3073
B	1	200S-1.5	RAKE	4085
C	6	200S-1.5	RAPTER	4085
D	1	200S-1.5	RAKE	4085



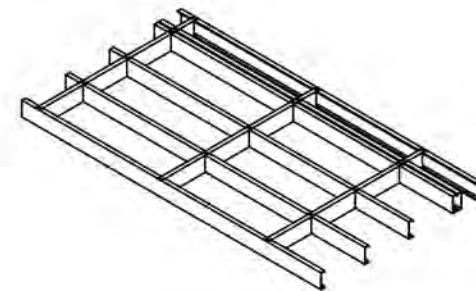
PIECE SCHEDULE				
PCE	QTY	MTRL	DESCRIPTION	LENGTH
A	3	200S-1.5	BLOCK	2160
B	1	200S-1.5	RAKE	4085
C	2	200S-1.5	RAFTER	4085
D	1	200S-1.5	RAFTER	4074
E	1	200S-1.5	RAFTER	4074
F	1	200S-1.5	RAKE	4074



A-A



B-B



PIECE SCHEDULE

PCF	QTY	MTRL	DESCRIPTION	LENGTH
A	3	200S-1.5	BLOCK	2056
B	1	200S-1.5	RAKE	4284
C	1	200S-1.5	RAKE	4085
D	3	200S-1.5	RAFTER	4085

