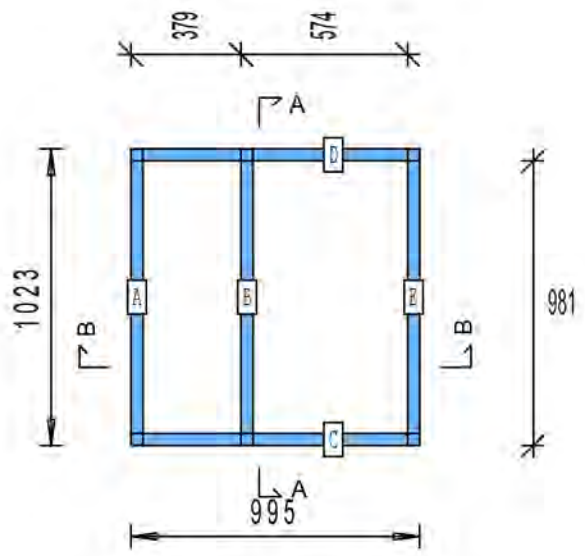
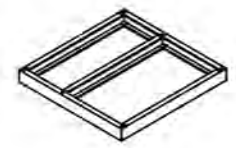


PIECE SCHEDULE				
PCE	QTY	MTRL	DESCRIPTION	LENGTH
A	1	C100-41.3-1.2	SIDE JOIST	1020
B	1	C100-41.3-1.2	JOIST	1020
C	1	C100-41.3-1.2	HEADER	995
D	1	C100-41.3-1.2	HEADER	995
E	1	C100-41.3-1.2	SIDE JOIST	1020



A-A

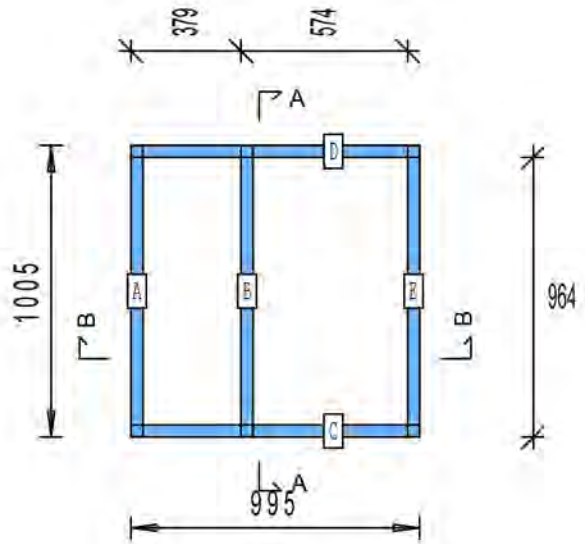
B-B



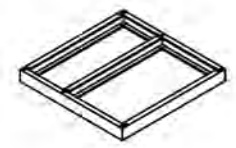
PIECE SCHEDULE				
PCF	QTY	MTRL	DESCRIPTION	LENGTH
A	1	C100-41.3-1.2	SIDE JOIST	1003
B	1	C100-41.3-1.2	JOIST	1003
C	1	C100-41.3-1.2	HEADER	995
D	1	C100-41.3-1.2	HEADER	995
E	1	C100-41.3-1.2	SIDE JOIST	1003



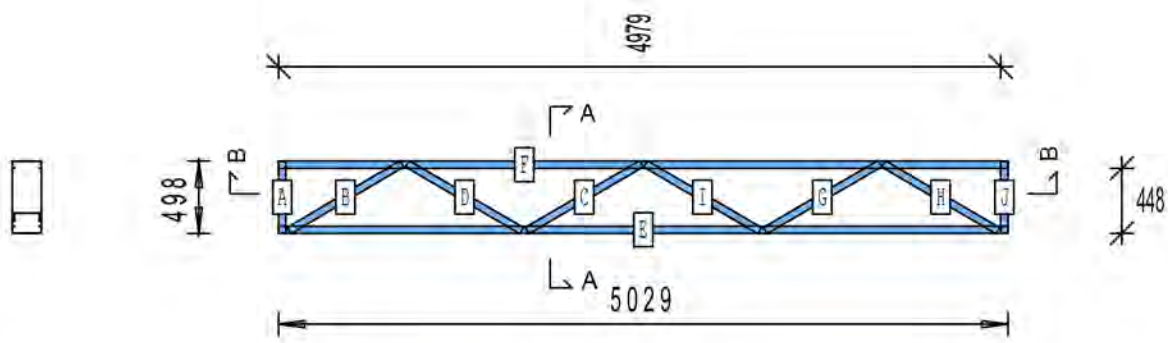
A-A



B-B



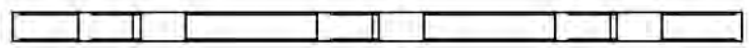
PIECE SCHEDULE				
PCF	QTY	MTRL	DESCRIPTION	LENGTH
A	1	200S-1.5	HEADER	495
B	1	200S-1.5	DIAGONAL BRACE	904
C	1	200S-1.5	DIAGONAL BRACE	913
D	1	200S-1.5	DIAGONAL BRACE	913
E	1	200S-1.5	SIDE JOIST	5029
F	1	200S-1.5	SIDE JOIST	5029
G	1	200S-1.5	DIAGONAL BRACE	913
H	1	200S-1.5	DIAGONAL BRACE	913
I	1	200S-1.5	DIAGONAL BRACE	913
J	1	200S-1.5	HEADER	495



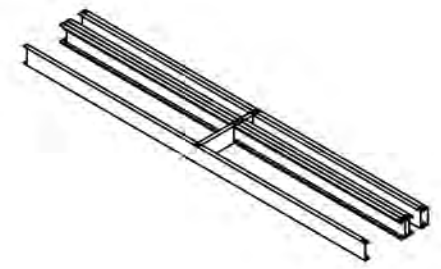
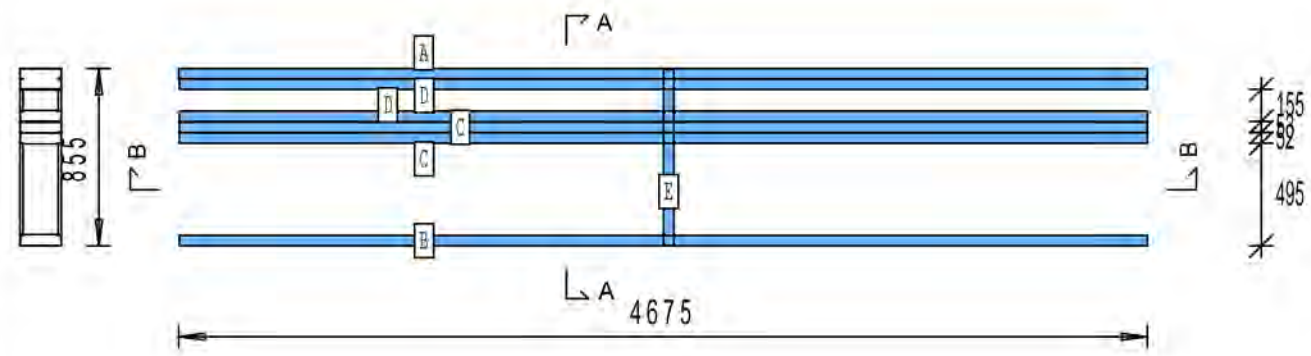
A-A



B-B



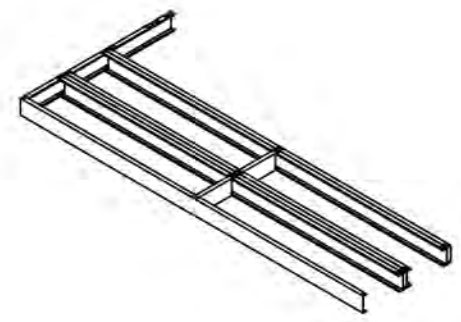
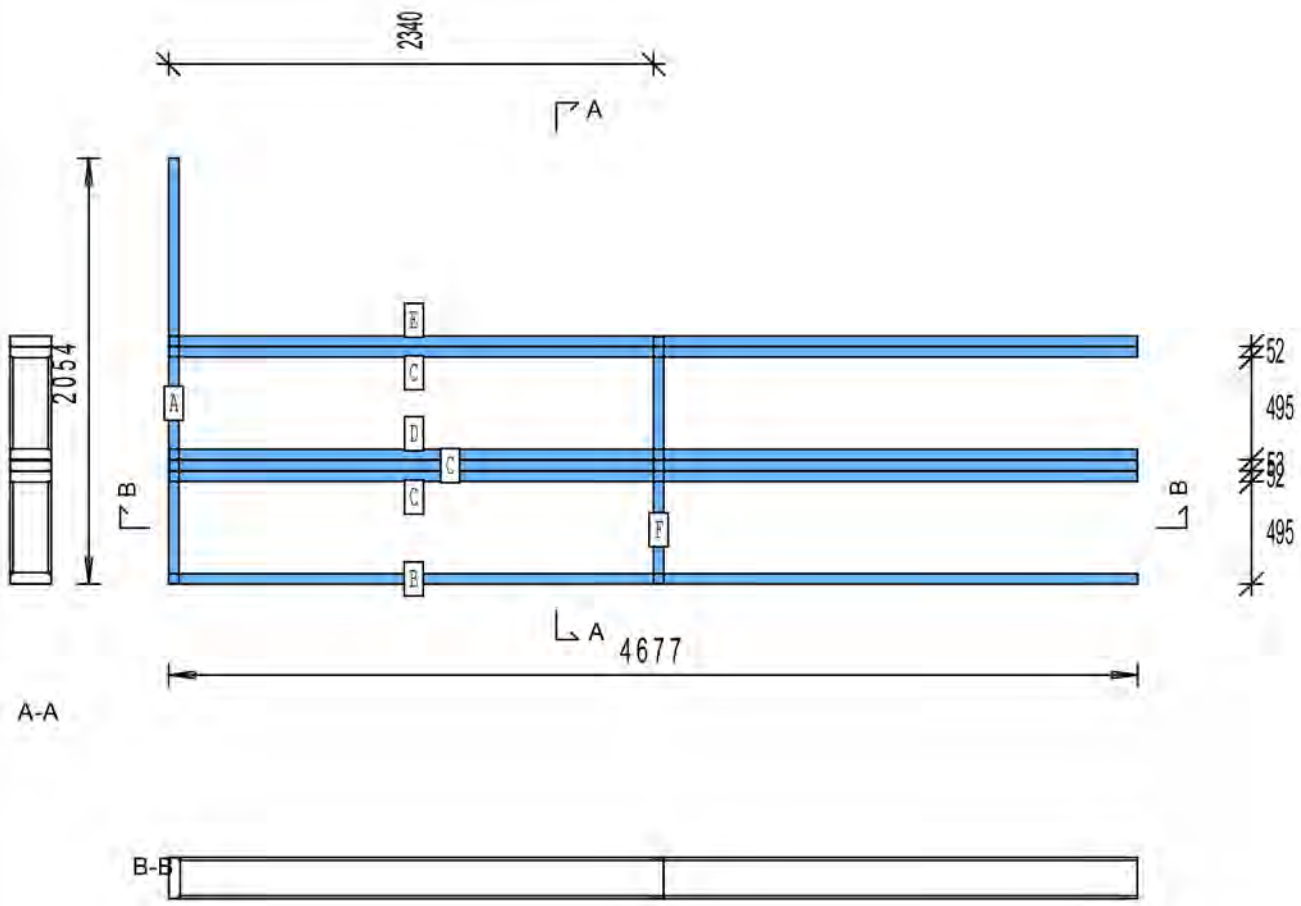
PIECE SCHEDULE				
PCB	QTY	MTRL	DESCRIPTION	LENGTH
A	1	200S-1.5	SIDE JOIST	4675
B	1	200S-1.5	SIDE JOIST	4672
C	2	200S-1.5	JOIST	4672
D	2	200S-1.5	JOIST	4672
E	1	200S-1.5	BLOCK	849



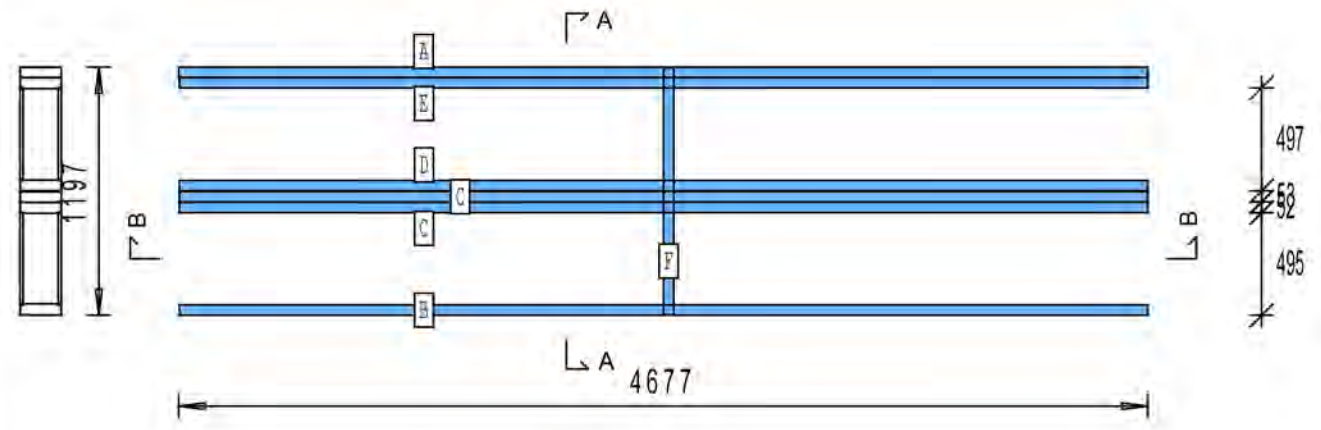
A-A



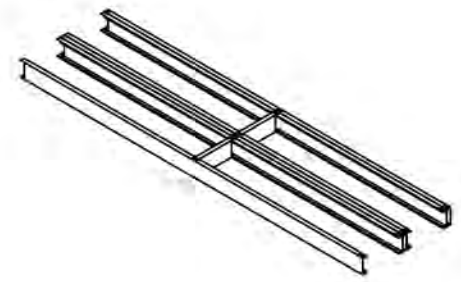
PIECE SCHEDULE				
PCE	QTY	MTRL	DESCRIPTION	LENGTH
A	1	200S-1.5	HEADER	2053
B	1	200S-1.5	SIDE JOIST	4677
C	3	200S-1.5	JOIST	4672
D	1	200S-1.5	JOIST	4672
E	1	200S-1.5	SIDE JOIST	4672
F	1	200S-1.5	BLOCK	1190



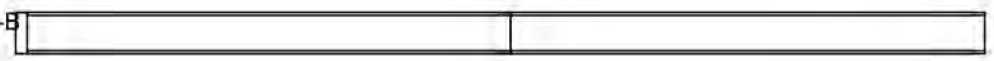
PIECE SCHEDULE				
PCF	QTY	MTRL	DESCRIPTION	LENGTH
A	1	200S-1.5	SIDE JOIST	4677
B	1	200S-1.5	SIDE JOIST	4674
C	2	200S-1.5	JOIST	4674
D	1	200S-1.5	JOIST	4674
E	1	200S-1.5	SIDE JOIST	4674
F	1	200S-1.5	BLOCK	1190



A-A

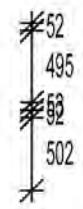
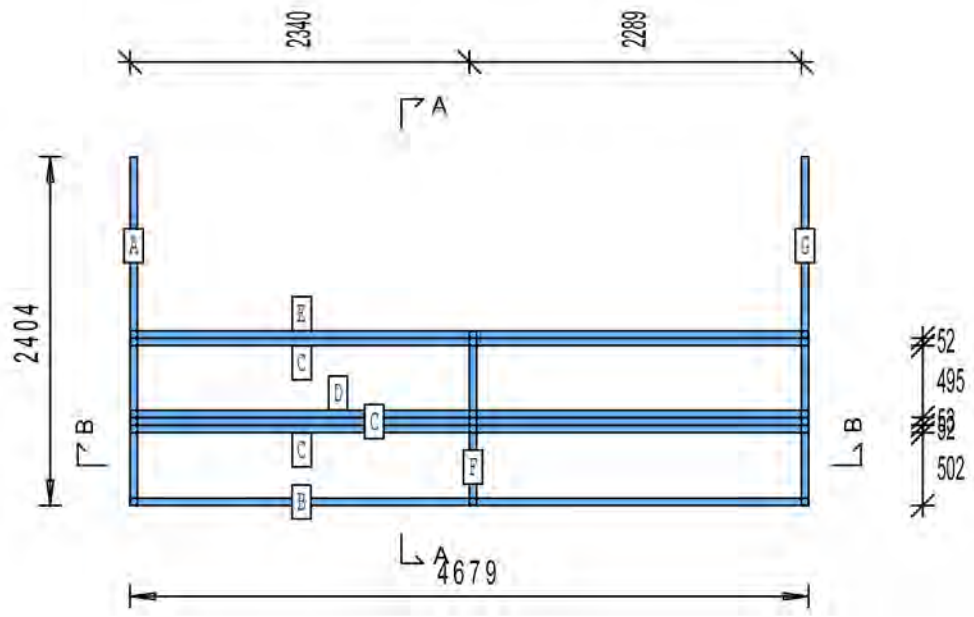


B-B

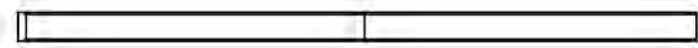




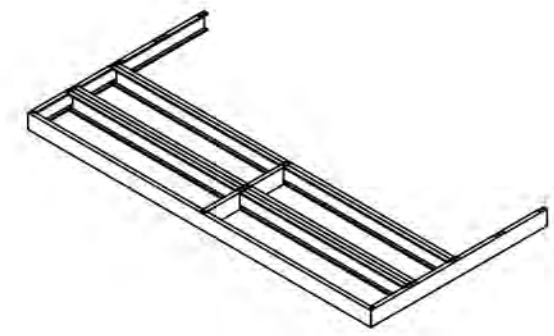
A-A



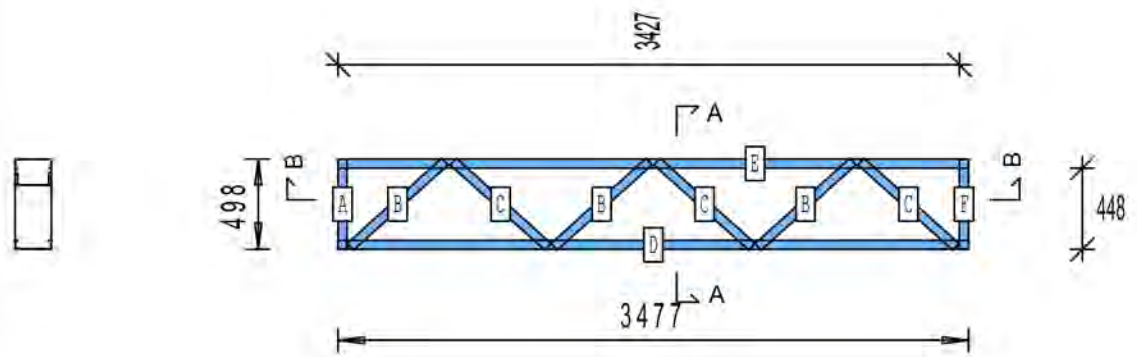
B-B



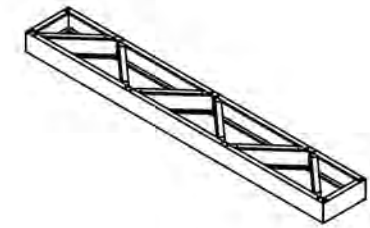
PIECE SCHEDULE				
PCE	QTY	MTRL	DESCRIPTION	LENGTH
A	1	200S-1.5	HEADER	2401
B	1	200S-1.5	SIDE JOIST	4679
C	3	200S-1.5	JOIST	4674
D	1	200S-1.5	JOIST	4674
E	1	200S-1.5	SIDE JOIST	4674
F	1	200S-1.5	BLOCK	1197
G	1	200S-1.5	HEADER	2403



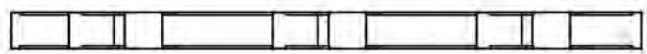
PIECE SCHEDULE				
PCE	QTY	MTRL	DESCRIPTION	LENGTH
A	1	200S-1.5	HEADER	495
B	3	200S-1.5	DIAGONAL BRACE	703
C	3	200S-1.5	DIAGONAL BRACE	703
D	1	200S-1.5	SIDE JOIST	3478
E	1	200S-1.5	SIDE JOIST	3478
F	1	200S-1.5	HEADER	495



A-A



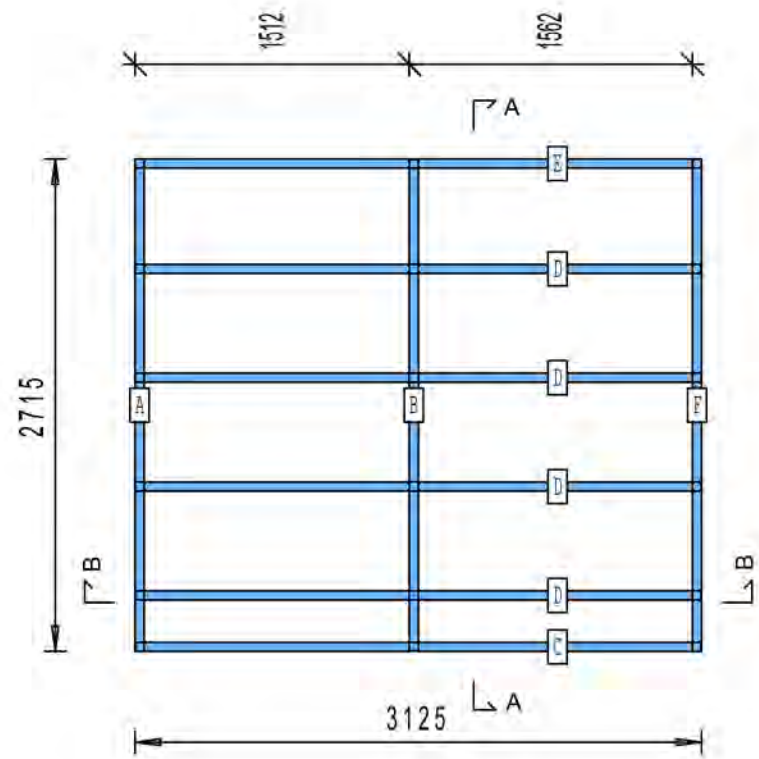
B-B



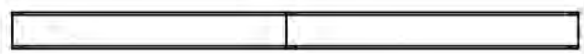




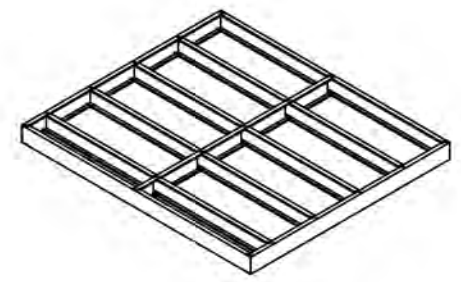
A-A



B-B



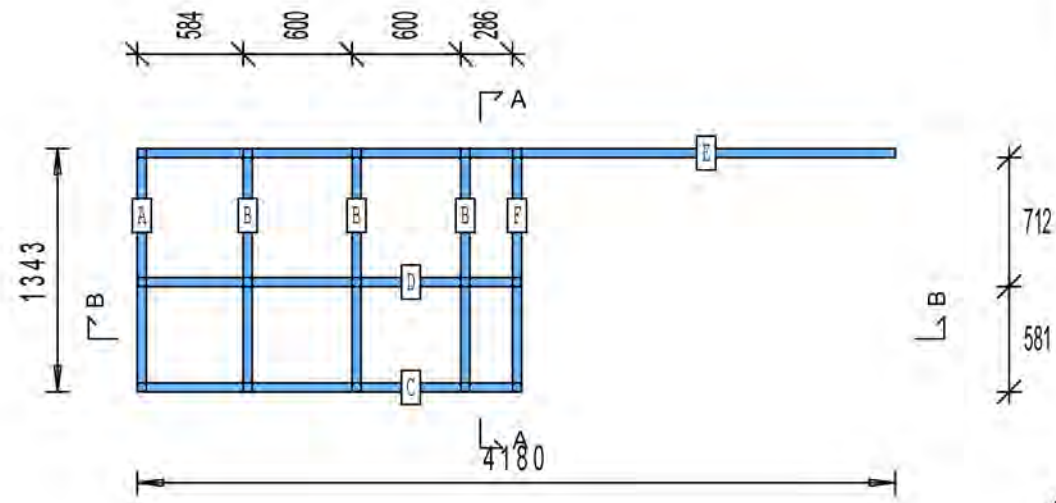
PIECE SCHEDULE				
PCE	QTY	MTRL	DESCRIPTION	LENGTH
A	1	200S-1.5	HEADER	2715
B	1	200S-1.5	BLOCK	2708
C	1	200S-1.5	SIDE JOIST	3122
D	4	200S-1.5	JOIST	3122
E	1	200S-1.5	SIDE JOIST	3122
F	1	200S-1.5	HEADER	2715



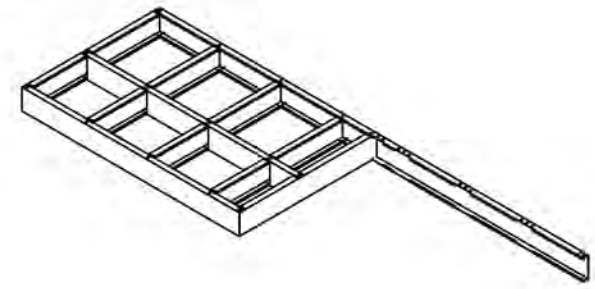
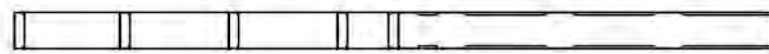
PIECE SCHEDULE				
PCF	QTY	MTRL	DESCRIPTION	LENGTH
A	1	200S-1.5	SIDE JOIST	1340
B	3	200S-1.5	JOIST	1340
C	1	200S-1.5	BLOCK	2119
D	1	200S-1.5	BLOCK	2112
E	1	200S-1.5	HEADER	4180
F	1	200S-1.5	SIDE JOIST	1340

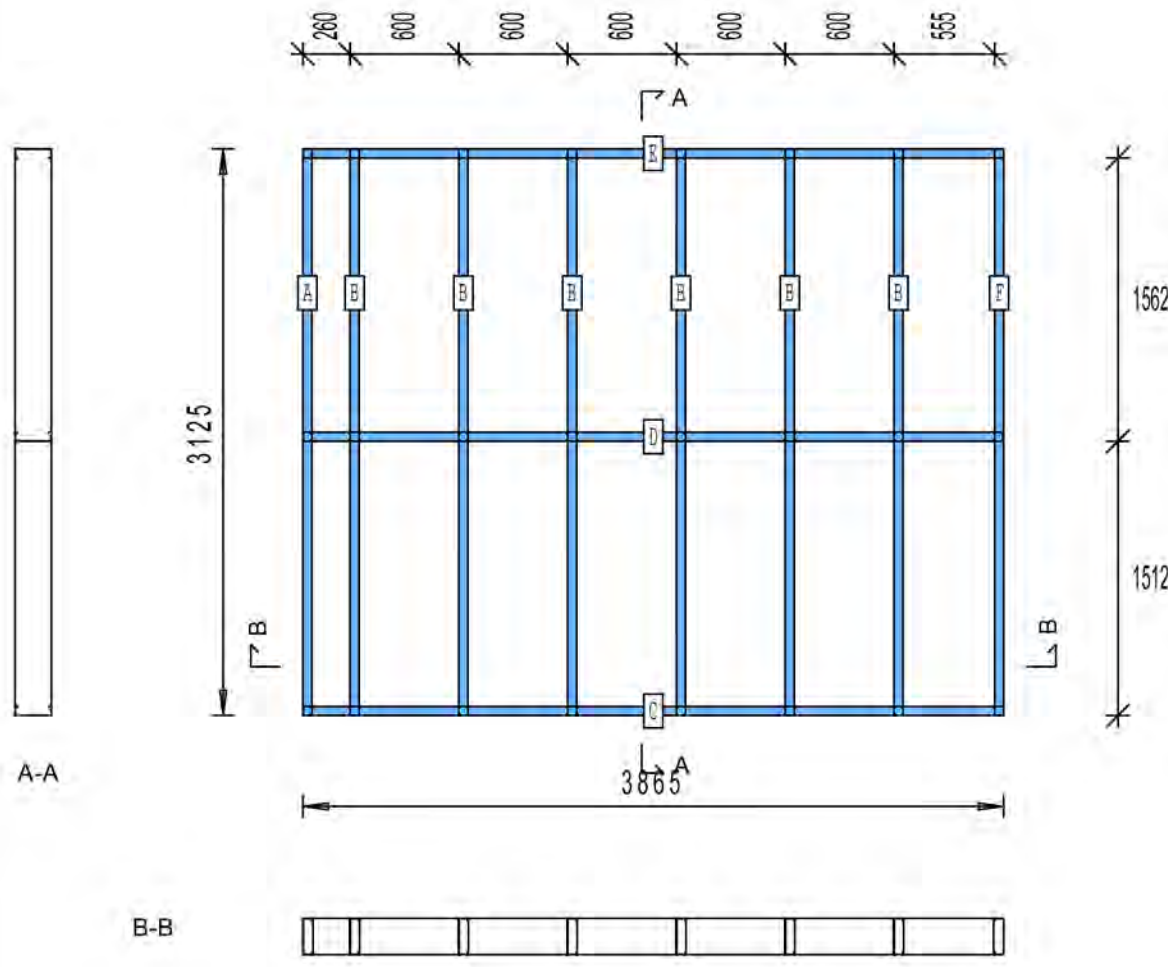


A-A



B-B





PIECE SCHEDULE				
PCB	QTY	MTRL	DESCRIPTION	LENGTH
A	1	200S-1.5	SIDE JOIST	3122
B	6	200S-1.5	JOIST	3122
C	1	200S-1.5	HEADER	3865
D	1	200S-1.5	BLOCK	3858
E	1	200S-1.5	HEADER	3865
F	1	200S-1.5	SIDE JOIST	3122

